

322674(22)

**B. E. (Sixth Semester) Examination,  
Nov.-Dec. 2018**

(New Scheme)

(Computer Science Engg.)

**INTER NETWORKING with TCP/IP**

*Time Allowed : Three hours*

*Maximum Marks : 80*

*Minimum Pass Marks : 28*

*Note : Attempt all questions. Part (a) from each question is compulsory. Attempt any two parts from part (b), (c) and (d) of each question.*

1. (a) Explain Networking and Internetworking. 2

(b) What is Swiching? Explain Circuit and Packet swiching. 7

(c) Explain Internetworking devices with diagram. 7

(d) Explain TCP/IP protocol suite with suitable diagram. 7

2. (a) What is ARP? 2

(b) What is Datagram? Explain IP datagram header format. 7

(c) What is Subnetting? 1

(i) Find out Network address when  
IP address : 139.15.5.20  
Mask : 255.255.0.0 3

(ii) Find out subnetwork address when  
IP address : 215.24.45.27  
Mark : 255.255.255.241 3

(d) Compare IPv4 and IPv6 by using packet format. 7

3. (a) What is Intra domain and Inter domain Routing? 2

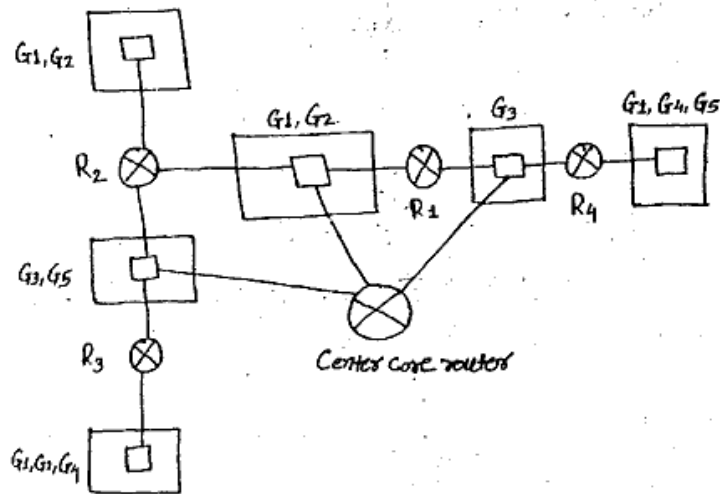
322674(22)

PTO

322674(22)

[ 3 ]

- (b) What do you mean by RIP. Draw RIP message format and explain each fields. 7
- (c) Explain type of Multicast Routing and create core Routing Table for given Network. 7



- (d) Short notes on : <http://www.csvtuonline.com> 7
  - (i) CBT
  - (ii) MBONE

- 4. (a) What is Checksum? 2

322674(22)

PTO

[ 4 ]

- (b) Explain TCP segment and Header format. 7
  - (c) Explain Transport Control Protocol in term of sliding window. 7
  - (d) Explain UDP datagram header format and features. 7
5. (a) What are BISDN services? 2
- (b) Explain the architecture of ATM Network. 7
  - (c) Explain AAL5 with suitable diagram. 7
  - (d) Draw and explain ISDN Layers. 7

http://www.csvtuonline.com

Whatsapp @ 9300930012  
 Your old paper & get 10/-  
 पुराने पेपर्स भेजे और 10 रुपये पायें,  
 Paytm or Google Pay से